

# KN 703-C DIGITAL TEMPERATURE CONTROLLER

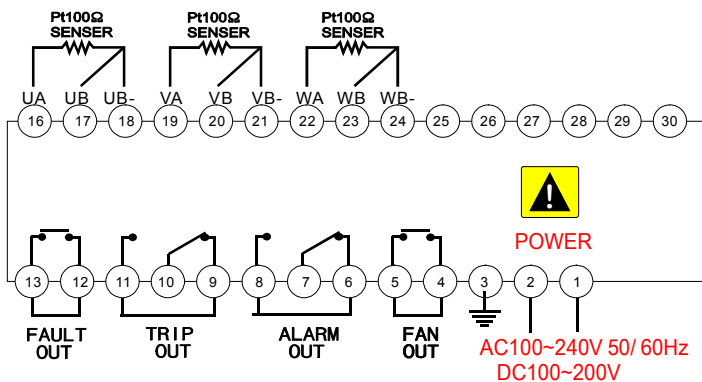
- FREE VOLTAGE  
(AC100~240V 50/60Hz, DC 100~300V USED)
- SIZE 164(W)X 81.5(H)X117(D)mm
- 3 SENSOR INPUT(Pt100Ω)
- PROGRAM TYPE FUNCTION  
(T.MAX VALUE, SETTING VALUE)
- TEMP, MAX FUNCTION
- DATA STORAGE FUNCTION  
(Displayed as Fault)
- FAN AUTO MANUAL FUNCTION
- RTD(PT100Ω) 3EA



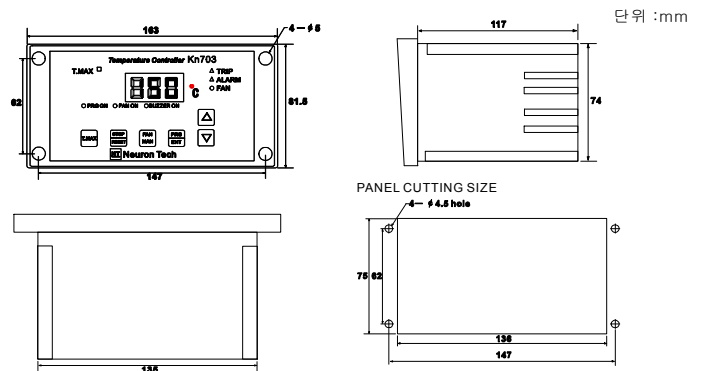
## SPECIFICATION

- |  |  |
|--|--|
| <ul style="list-style-type: none"> <li>◆ DIMENSION<br/>164(W)X 81.5(H)X117(D)mm</li> <li>◆ ACCURACY<br/>+/- 0.5℃ (Full Scale)</li> <li>◆ INPUT<br/>3 INPUT Pt100Ω-3Wires (DIN IEC 751)</li> <li>◆ TEMPERATURE MEASURING RANGE<br/>-50~250℃</li> <li>◆ INPUT MEASURING CYCLE<br/>100m SEC</li> <li>◆ AMBIENT TEMPERATURE OPERATION<br/>-5to55℃</li> <li>◆ AMBIENT HUMIDITY OPERATION<br/>10 to 90% RH</li> <li>◆ TEMPERATURE INDICATION<br/>1℃</li> <li>◆ OUTPUT CONTACTS CAPACITY<br/>TRIP,ALARM,FAULT AC 250V 5A (Resistance Load)<br/>FAN AC 250V 10A (Resistance Load)<br/>CONTACT DC 30V 5A (Resistance Load)</li> <li>◆ DATA STORAGE<br/>10YEARS</li> </ul> | <ul style="list-style-type: none"> <li>◆ POWER SUPPLY<br/>AC100 to 240V 50/60Hz, DC100~300V</li> <li>◆ DIELECTRIC STRENGTH<br/>AC2000V for 1min</li> <li>◆ POWER CONSUMPTION<br/>7VA</li> <li>◆ INSULATION RESISTANCE<br/>500V DC 100M ohm Minimum</li> <li>◆ WEIGHT<br/>750g</li> </ul> |
|--|--|

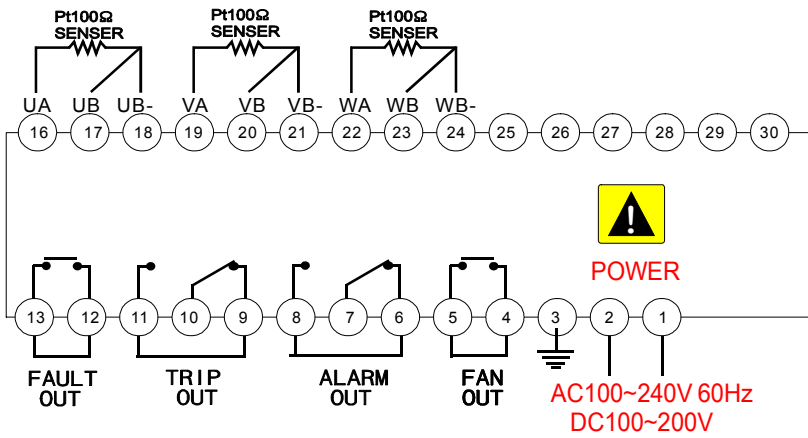
## TERMINAL CONNECTION



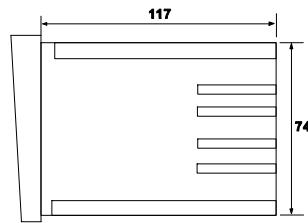
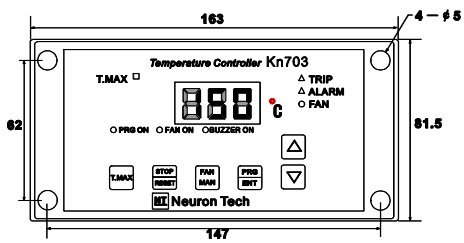
## EXTERNAL DIMENSION



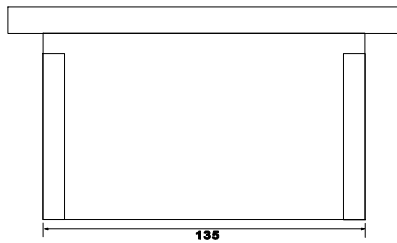
# TERMINAL CONNECTION



# EXTERNAL DIMENSION



단위 : mm



PANEL CUTTING SIZE

