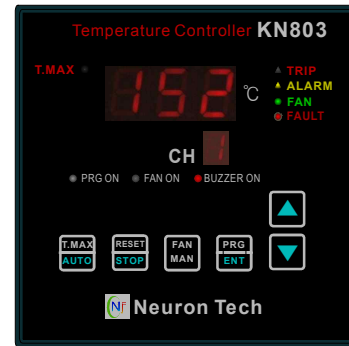


# KN 803 DIGITAL TEMPERATURE CONTROLLER

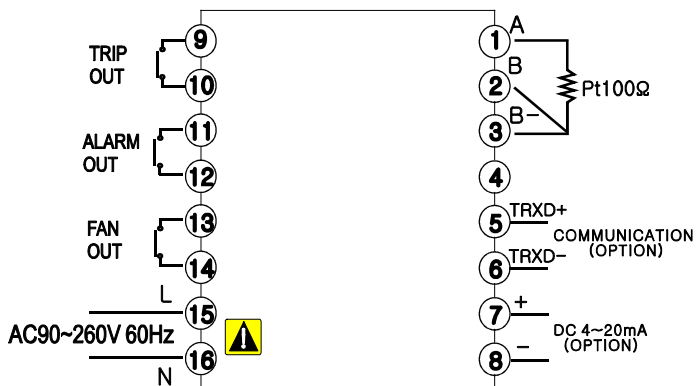
- FREE VOLTAGE (AC90~260V 50~60Hz, DC 100~300V USED)
- SIZE 96(W)X 96(H)X117(D)mm
- 3 SENSOR INPUT(Pt100Ω)
- PROGRAM TYPE FUNCTION (T.MAX VALUE, SETTING VALUE)
- TEMP, MAX FUNCTION
- DATA STORAGE FUNCTION (Displayed as Fault)
- FAN AUTO MANUAL FUNCTION
- RTD(PT100Ω) 3EA



## SPECIFICATION

- |   |  |
|---|--|
| <ul style="list-style-type: none"> <li>◆ DIMENSION 96(W)X 96(H)X117(D)mm</li> <li>◆ ACCURACY +/- 0.5°C (Full Scale)</li> <li>◆ INPUT 3 INPUT Pt100Ω-3Wires (DIN IEC 751)</li> <li>◆ TEMPERATURE MEASURING RANGE -50~250°C</li> <li>◆ INPUT MEASURING CYCLE 100m SEC</li> <li>◆ AMBIENT TEMPERATURE OPERATION -5to55°C</li> <li>◆ AMBIENT HUMIDITY OPERATION 10 to 90% RH</li> <li>◆ TEMPERATURE INDICATION 1°C</li> <li>◆ OUTPUT CONTACTS CAPACITY<br/>TRIP, ALARM, FAULT AC 250V 5A (Resistance Load)<br/>FAN AC 250V 10A (Resistance Load)<br/>CONTACT DC 30V 5A (Resistance Load)</li> <li>◆ ANALOG OUTPUT (OPTION) DC 4~20mA (Load Resistance Max 600Ω) (INPUT/OUTPUT ISOLATION)</li> </ul> | <ul style="list-style-type: none"> <li>◆ DATA STORAGE 10YEARS</li> <li>◆ SERIAL COMMUNICATION (OPTION) RS-485 or RS-232 MODBUS RTU</li> <li>◆ POWER SUPPLY AC90 to 260V 60Hz, DC100~300V</li> <li>◆ DIELECTRIC STRENGTH AC2000V for 1min</li> <li>◆ POWER CONSUMPTION 7VA</li> <li>◆ INSULATION RESISTANCE 500V DC 20M ohm Minimum</li> <li>◆ WEIGHT 750g</li> </ul> |
|---|--|

## TERMINAL CONNECTION



## EXTERNAL DIMENSION

