

KN 805-A3 DIGITAL TEMPERATURE CONTROLLER

- Free voltage (AC100~240V 50/60Hz, DC 100~300V)
- 4 sensor input(Pt100Ω)
- Operation setting function for each channel(run/stop) caution:"stop" selected channel is not displayed
- Program type function (Setting value)
- Temp, max storage function for each channel
- Data storage function
- Fan auto / manual function
- Buzzer function (FAULT ALARM, HI ALARM, HH ALARM)
- Test function for each input channel
- Channels scanning
SCAN : ch1-2-3-4 scanning(9 sec)
AUTO :automatic hottest scanning
MAN :manual scanning
- Scan time setting function(2~10 sec)
- Outputs delay time setting function
Fan (0.1~6.0 sec)
HI ALARM, HH ALARM (0.5~10.0 sec)

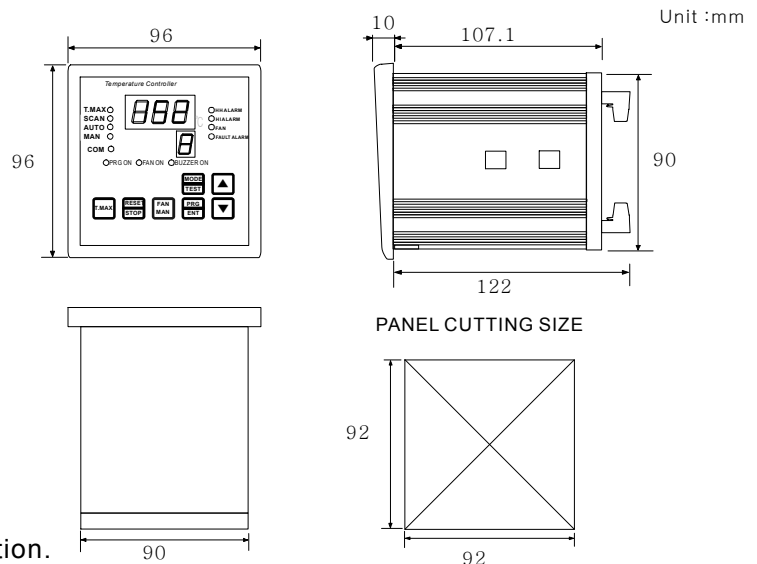
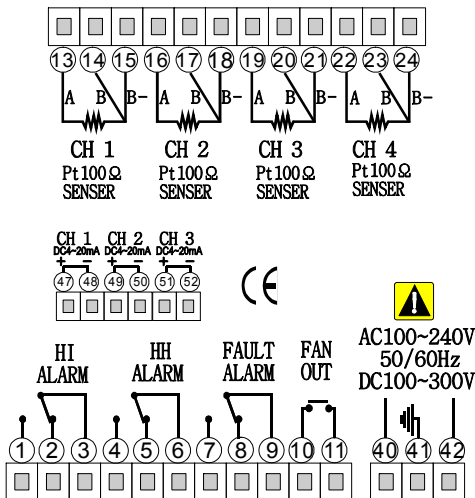


SPECIFICATION

- | | |
|--|---|
| <ul style="list-style-type: none"> ◆ INPUT
4 INPUT Pt100Ω-3Wires (DIN IEC 751) ◆ 4 INPUT
EMI FILTER, OVERVOLTAGE PROTECTION ◆ INPUT MEASURING CYCLE
60m / 120m / 240m / 480m SEC(setting function) ◆ ACCURACY
+/- 0.5℃ (Full Scale) ◆ TEMPERATURE MEASURING RANGE
-50~250℃ ◆ TEMPERATURE INDICATION
1℃ ◆ AMBIENT TEMPERATURE
OPERATION -20 to 60℃ ◆ AMBIENT HUMIDITY
OPERATION 10 to 90% RH ◆ OUTPUT CONTACTS CAPACITY
HH ALARM, HI ALARM, FAULT ALARM, FAN
AC 250V 10A (Resistance Load)
CONTACT DC 30V 10A (Resistance Load)
FAN RELAY SURGE PROTECTION | <ul style="list-style-type: none"> ◆ ANALOG OUTPUT
3 OUTPUT (R, S, T / CH 1, CH 2, CH 3)
DC 4~20mA (RANGE:0~200℃) Load Resistance Max 600Ω
(INPUT/OUTPUT ISOLATION) ◆ TEMPERATURE INDICATION
1℃ ◆ DATA STORAGE
10YEARS ◆ POWER SUPPLY
AC100 to 240V 50/60Hz, DC100~300V ◆ DIELECTRIC STRENGTH
AC2000V for 1min ◆ POWER CONSUMPTION
7VA ◆ INSULATION RESISTANCE
500V DC 100M ohm Minimum ◆ WEIGHT
750g |
|--|---|

TERMINAL CONNECTION

EXTERNAL DIMENSION



* NOTE: When the unit is powered the fault relay 7-9 closed and it opens again in case of fault condition.